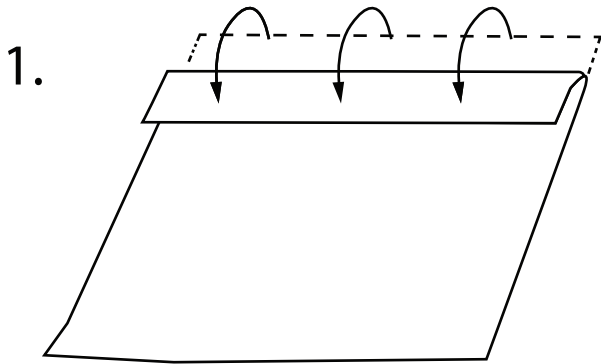
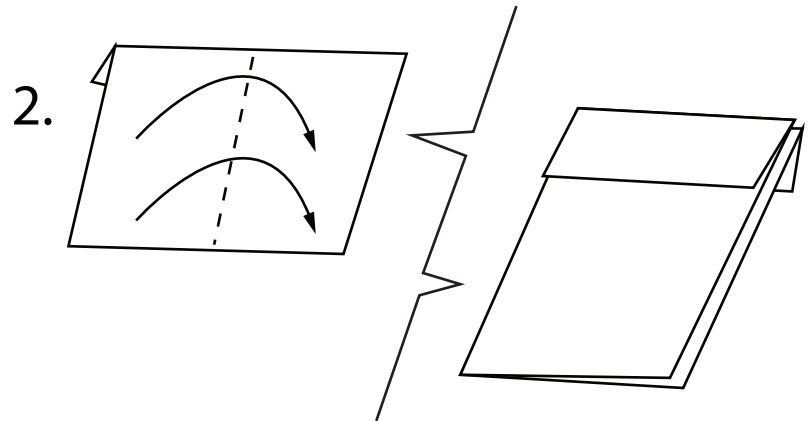


PAPEL PICADO WORKSHOP WITH THE NATIONAL MUSEUM OF MEXICAN ART

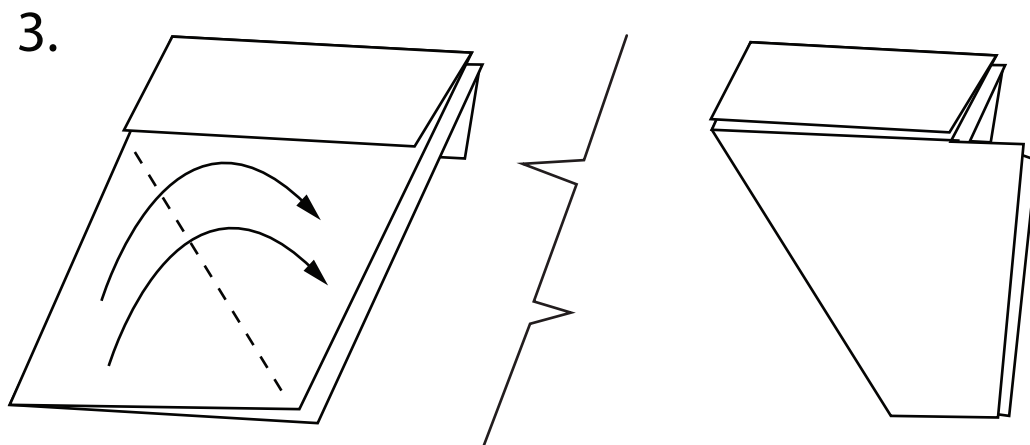
Learn to make your own papel picado for your next celebration!



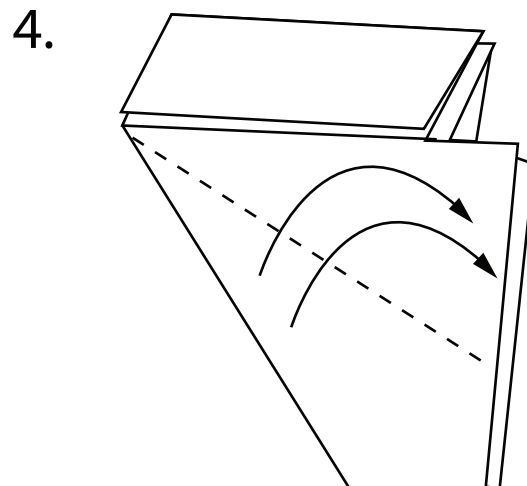
Fold a small flap, about 1" inch.
(you will use this to string your papel picado)



Turn sheet over, fold in half.

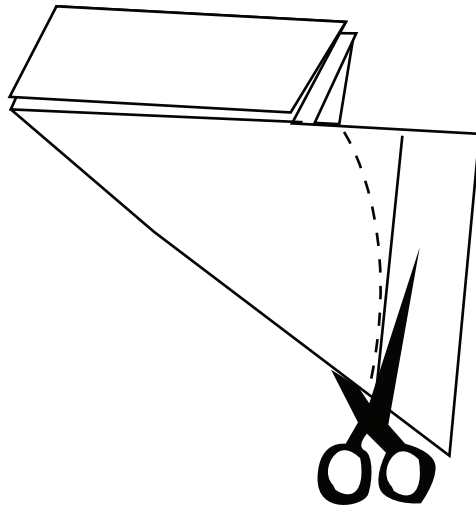


With the folded edge facing left, fold upwards to meet the flap.



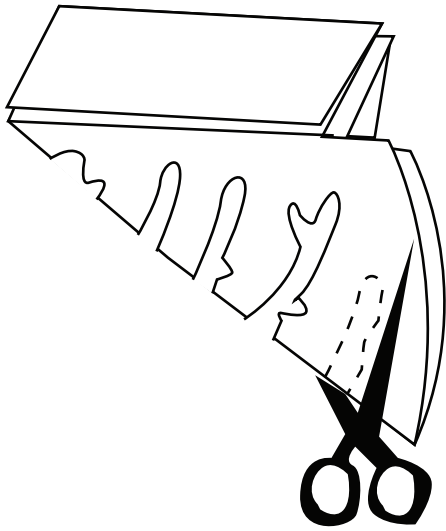
Fold once more.
(If you are fancy you can fold one more time)

5.



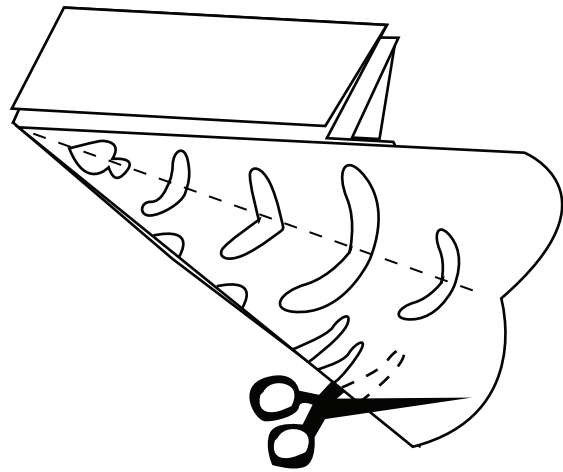
Cutt off the excess at the edge. I like to cut a scallop or triangle shape.

6.



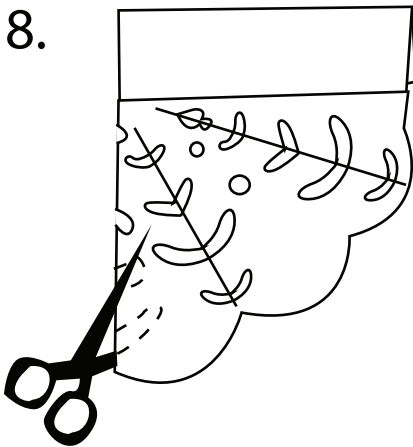
Cut along the fold. You cut any shape such as triangles, ovals or hearts!

7.

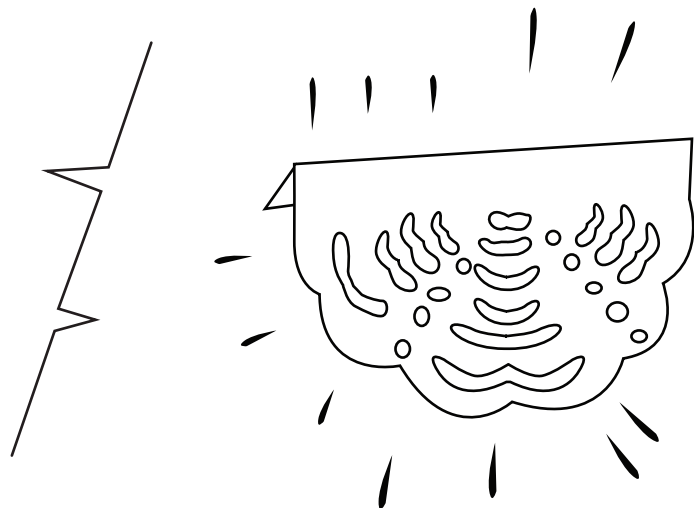


Open one & cut along that fold.
(If you made an extra fold in step 4, repeat step 7)

8.



Open one more & cut down the center.



Open up & see your Creation!!

Supplies needed: Scissors, Tissue paper, Glue or glue stick, String or twine.